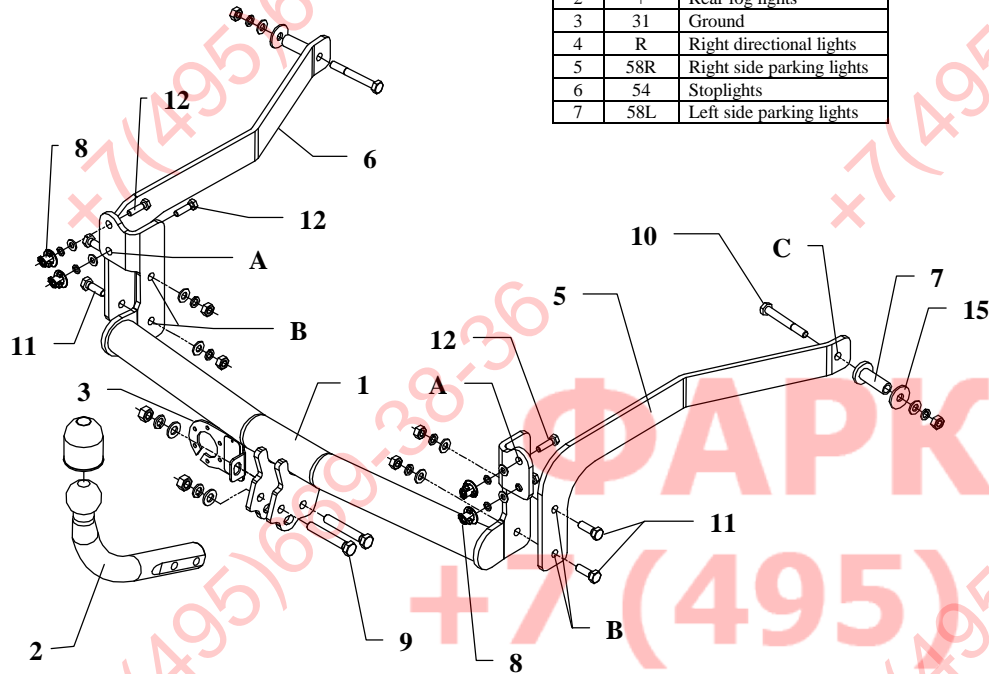


## FITTING INSTRUCTION

| Clamp mark in acc. with |     | Cables joining            |
|-------------------------|-----|---------------------------|
| ISO                     | PN  |                           |
| 1                       | L   | Left directional lights   |
| 2                       | +   | Rear fog lights           |
| 3                       | 31  | Ground                    |
| 4                       | R   | Right directional lights  |
| 5                       | 58R | Right side parking lights |
| 6                       | 54  | Stoplights                |
| 7                       | 58L | Left side parking lights  |



## The instruction of the assembly

1. Disassemble rear muffler.
2. From below the car find infatuated holes on the left and right side (two per side), break open it and insert nuts with basket M8 (pos. 8).
3. Put the main bar of the towbar (pos. 1) below the car and through holes (pos. A) fix using bolts M8x30mm (pos. 12) from towbar accessories.
4. To chassis members slip distance sleeves – pos. 7 (by piece on each side).
5. To mounted main bar of the towbar (pos. 1), through holes (pos. B) twist brackets (pos. 5 and 6) using bolts M10x30mm (pos. 11).
6. Through holes (pos. C) and distance sleeves in chassis members twist all by bolts M10x80mm (pos. 10) from accessories.
7. Fix tow-ball (pos. 2) and the socket plate (pos. 3) using bolts M12x75mm (pos. 9) from accessories.
8. Reassemble thermal shield and rear muffler.
9. Tighten all bolts according to the torque shown in the table.
10. Connect electric wires of 7-poles socket according to the instruction of the car. (Recommend to make at authorized service station).
11. Complete paint layer damaged during installation.

|   |                      |
|---|----------------------|
| Torque settings for nuts and bolts (8,8): |                      |
| <b>M 8</b> - 25 Nm                        | <b>M 10</b> - 55 Nm  |
| <b>M 12</b> - 85 Nm                       | <b>M 14</b> - 135 Nm |

This towbar is designed to assembly in following car:  
**RENAULT LAGUNA 5 doors**, produced since 1994 till 2000, catalogue no. **G18** and is prepared to tow trailers max total weight **1650 kg** and max vertical load **75 kg**.

### From manufacturer

Thank you for buying our product. Their reliability has been confirmed in many tests. Reliability of towbar depends also on correct assembly and right operation. For this reasons we kindly ask to read carefully this instruction and apply to hints.

*The towbar should be install in points described by a car producer.*

## NOTE

After install the towbar you should get adequate note in registration book (at authorised service station). The car should be equipped with:

- Indicators
- Tow mirrors

After 1000km check all bolts and nuts. The ball of towbar must be always kept clear and conserve with a grease.

## Towbar accessories:

|  |   |  |   |
|--|---|--|---|
| Pos. 1<br>Name: Main bar<br>Quantity: 1      | Pos. 6<br>Name: Left bracket<br>Quantity: 1                   | Pos. 12<br>Name: Bolt 8,8 B<br>Quantity: 4<br>Dim.: M8x30mm                    | Pos. 18<br>Name: Plain washer<br>Quantity: 4<br>Dim.: $\phi$ 8,5 mm   |
| Pos. 2<br>Name: Tow-ball<br>Quantity: 1      | Pos. 7<br>Name: Distance sleeve<br>Quantity: 2                | Pos. 13<br>Name: Nut 8 B<br>Quantity: 2<br>Dim.: M12                           | Pos. 19<br>Name: Spring washer<br>Quantity: 2<br>Dim.: $\phi$ 12,2 mm |
| Pos. 3<br>Name: Socket plate<br>Quantity: 1  | Pos. 8<br>Name: Nut with basket<br>Quantity: 4                | Pos. 14<br>Name: Nut 8 B<br>Quantity: 6<br>Dim.: M10                           | Pos. 20<br>Name: Spring washer<br>Quantity: 6<br>Dim.: $\phi$ 10,2 mm |
| Pos. 4<br>Name: Ball cover<br>Quantity: 1    | Pos. 9<br>Name: Bolt 8,8 B<br>Quantity: 2<br>Dim.: M12x100mm  | Pos. 15<br>Name: Plain washer<br>Quantity: 2<br>Dim.: $\phi$ 35x $\phi$ 12x3mm | Pos. 21<br>Name: Spring washer<br>Quantity: 4<br>Dim.: $\phi$ 8,2 mm  |
| Pos. 5<br>Name: Right bracket<br>Quantity: 1 | Pos. 10<br>Name: Bolt 8,8 B<br>Quantity: 2<br>Dim.: M10x80mm  | Pos. 16<br>Name: Plain washer<br>Quantity: 2<br>Dim.: $\phi$ 13 mm             |   |
|  | Pos. 11<br>Name: Śruba 8,8 B<br>Quantity: 4<br>Dim.: M10x30mm | Pos. 17<br>Name: Plain washer<br>Quantity: 6<br>Dim.: $\phi$ 10,5 mm           |   |



**PPUH AUTO-HAK S.J.**

Produkcja Haków Holowniczych  
Henryk & Zbigniew Nejman  
76-200 SŁUPSK ul. Słoneczna 16K  
tel/fax (0-59) 8-414-414; 8-414-413  
e-mail: [office@autohak.com.pl](mailto:office@autohak.com.pl)  
[www.autohak.com.pl](http://www.autohak.com.pl)

## Towing hitch (without electrical set)

Class: **A50-X** Cat. no. **G18**

Designed for:

Manufacturer: **RENAULT**

Model: **LAGUNA**

Type: **5 doors**

produced since 1994 till 2000

Technical data:

**D-value: 8,84 kN**

maximum trailer weight: **1650 kg**

maximum vertical cup load: **75 kg**

Approval number acc. to regulations EKG/ONZ 55.01:E20 55R-01 0916

### Foreword

This towbar is designed according to rules of safety traffic regulations. The towing hitch is a safety component and can be installed only by qualified personnel. Any alteration or conversion of the towing hitch is prohibited and would lead to cancellation of design certification. Remove insulating compound and underseal from vehicle (if present) in the area of the matting surfaces of the towing hitch.

The vehicle manufacturer's specifications regarding trailer load and max. vertical cup load are decisive for driving, and values for the towing hitch cannot be exceeded.

*D-value formula:*

$$\frac{\text{Max trailer weight [kg]} \times \text{Max vehicle weight [kg]}}{\text{Max trailer weight [kg]} + \text{Max vehicle weight [kg]}} \times \frac{9,81}{1000} = D \text{ [kN]}$$